



Circuit breaker size S2 for motor protection, Class 10 A-release 28...40 A Short-circuit release 520 A Screw terminal Standard switching capacity !!! Phased-out product !!! Successor is SIRIUS 3RV2 Preferred successor type is >>3RV2031-4UA10<<

<b>product brand name</b>	SIRIUS
<b>product designation</b>	circuit breaker
<b>design of the product</b>	for motor protection
<b>General technical data</b>	
product extension auxiliary switch	Yes
<b>power loss [W] for rated value of the current</b>	
• at AC in hot operating state	29 W
• at AC in hot operating state per pole	9.7 W
<b>surge voltage resistance rated value</b>	6 000 V
protection class IP on the front	IP20
<b>shock resistance</b>	25g / 11 ms
mechanical service life (operating cycles) of the main contacts typical	50 000
<b>continuous current rated value</b>	40 A
<b>Substance Prohibition (Date)</b>	07/01/2006
<b>Ambient conditions</b>	
installation altitude at height above sea level maximum	2 000 m
<b>ambient temperature</b>	
• during operation	-20 ... +60 °C
• during storage	-50 ... +80 °C
• during transport	-50 ... +80 °C
<b>Main circuit</b>	
<b>number of poles for main current circuit</b>	3
<b>adjustable current response value current of the current-dependent overload release</b>	28 ... 40 A
<b>operating voltage</b>	
• rated value	690 V
• at AC-3 rated value maximum	690 V
operational current at AC-3 at 400 V rated value	40 A
operating power at AC-3	
• at 400 V rated value	18.5 kW
operating frequency at AC-3 maximum	15 1/h
<b>Auxiliary circuit</b>	
number of CO contacts for auxiliary contacts	0
<b>Protective and monitoring functions</b>	
<b>product function</b>	
• ground fault detection	No
• phase failure detection	Yes
<b>trip class</b>	CLASS 10
<b>maximum short-circuit current breaking capacity (I<sub>cu</sub>)</b>	
• at AC at 240 V rated value	100 kA

- at AC at 400 V rated value 50 kA
- at AC at 500 V rated value 10 kA
- at AC at 690 V rated value 4 kA

#### Short-circuit protection

**design of the overcurrent release and short-circuit release** thermomagnetic

#### Installation/ mounting/ dimensions

<b>mounting position</b>	any
<b>fastening method</b>	screw and snap-on mounting onto 35 mm DIN rail according to DIN EN 50022
<b>height</b>	140 mm
<b>width</b>	55 mm
<b>depth</b>	149 mm
required spacing with side-by-side mounting	
• backwards	0 mm
• at the side	0 mm

#### Connections/ Terminals

<b>product component removable terminal for auxiliary and control circuit</b>	No
<b>type of electrical connection</b>	
• for main current circuit	screw-type terminals with box terminals
• for auxiliary and control circuit	screw-type terminals
<b>arrangement of electrical connectors for main current circuit</b>	front side
type of connectable conductor cross-sections for main contacts	
• solid	2x (0.75 ... 16 mm <sup>2</sup> )
• stranded	2x (0.75 ... 25 mm <sup>2</sup> ), 1x (0.75 ... 35 mm <sup>2</sup> )
• finely stranded with core end processing	2x (0.75 ... 16 mm <sup>2</sup> ), 0.75 ... 25 mm <sup>2</sup>

#### Safety related data

**touch protection against electrical shock** finger-safe

#### Certificates/ approvals

##### General Product Approval

##### For use in hazardous locations

[Confirmation](#)



##### Declaration of Conformity

##### Test Certificates

##### Marine / Shipping



[Type Test Certificates/Test Report](#)

[Special Test Certificate](#)



##### Marine / Shipping

##### other

##### Railway



[Miscellaneous](#)

[Confirmation](#)



[Special Test Certificate](#)

#### Further information

Siemens has decided to exit the Russian market (see here).  
<https://press.siemens.com/global/en/pressrelease/siemens-wind-down-russian-business>

Siemens is working on the renewal of the current EAC certificates.

Please contact your local Siemens office on the status of validity of the EAC certification if you intend to import or offer to supply these products to an EAC relevant market (other than the sanctioned EAEU member states Russia or Belarus).

Information on the packaging

<https://support.industry.siemens.com/cs/ww/en/view/109813875>

Information- and Downloadcenter (Catalogs, Brochures,...)

<https://www.siemens.com/ic10>

Industry Mall (Online ordering system)

<https://mall.industry.siemens.com/mall/en/en/Catalog/product?mlfb=3RV1031-4FA10>

Cax online generator

<http://support.automation.siemens.com/WW/CAXorder/default.aspx?lang=en&mlfb=3RV1031-4FA10>

Service&Support (Manuals, Certificates, Characteristics, FAQs,...)

<https://support.industry.siemens.com/cs/ww/en/ps/3RV1031-4FA10>

Image database (product images, 2D dimension drawings, 3D models, device circuit diagrams, EPLAN macros, ...)

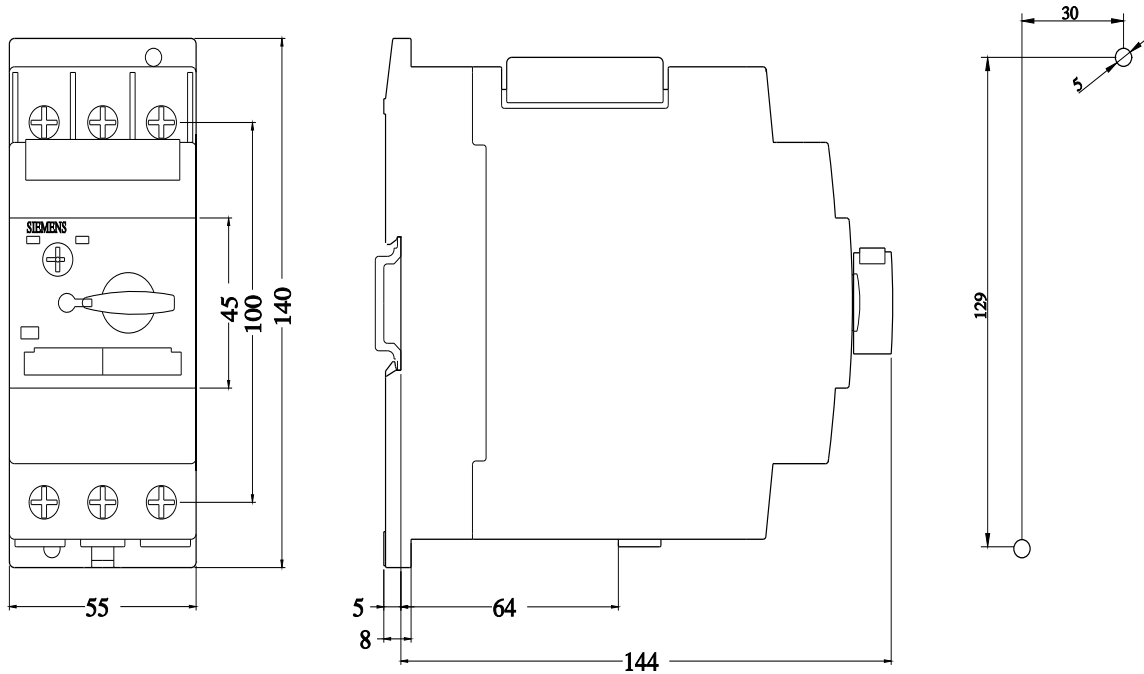
[http://www.automation.siemens.com/bilddb/cax\\_de.aspx?mlfb=3RV1031-4FA10&lang=en](http://www.automation.siemens.com/bilddb/cax_de.aspx?mlfb=3RV1031-4FA10&lang=en)

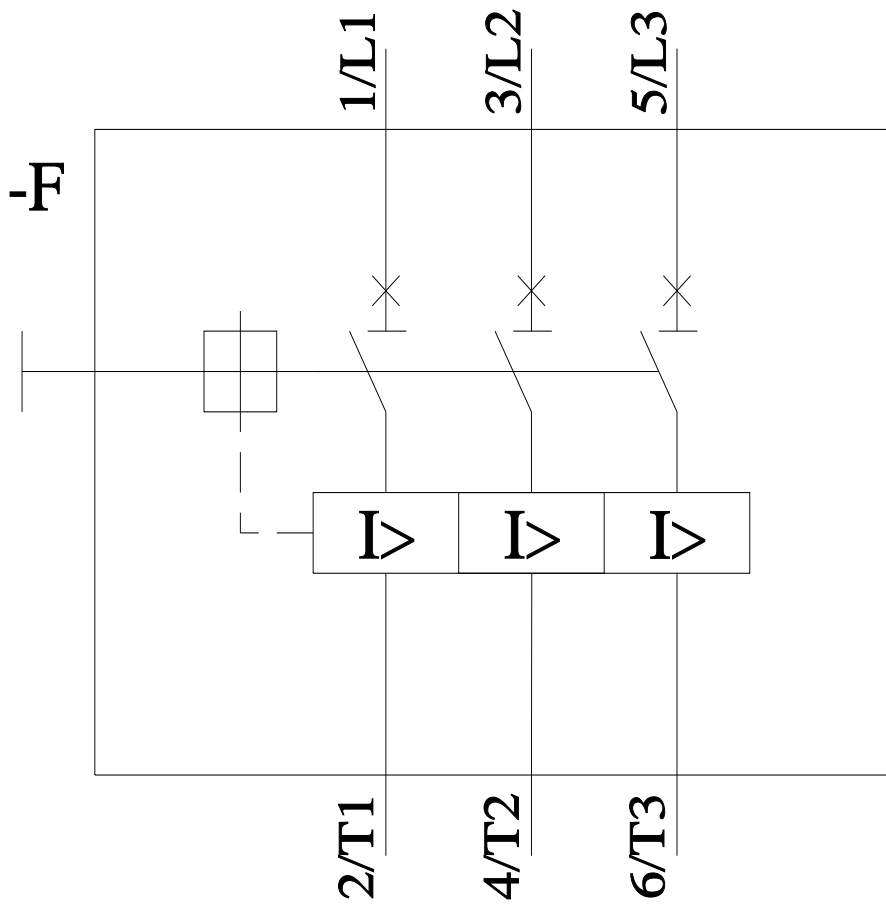
Characteristic: Tripping characteristics, I<sup>2</sup>t, Let-through current

<https://support.industry.siemens.com/cs/ww/en/ps/3RV1031-4FA10/char>

Further characteristics (e.g. electrical endurance, switching frequency)

<http://www.automation.siemens.com/bilddb/index.aspx?view=Search&mlfb=3RV1031-4FA10&objecttype=14&gridview=view1>





last modified:

11/21/2022 